

# MOD:XEBC-04EU-EPRM



## ENGLISH

## TECHNICAL DATA

- 01 POWER
- 03 FREQUENCY
- 04 POWER SUPPLY CABLE TYPE
- 05 EXTERNAL Ø OF POWER SUPPLY CABLE
- 06 VOLTAGE / POWER CABLE SECTION / CURRENT

10,6 kW  
50 / 60 Hz  
H07RN-F  
13,96 mm

380-415 V~3PH+N+PE  
5G x 2,5 mm<sup>2</sup>  
Circuit Breaker 25 A  
I1=20 A - I2=20 A - I3=8.5 A - In=11.5 A

220-240 V~3PH+PE  
4G x 6 mm<sup>2</sup>  
Circuit Breaker 40 A  
I1=34 A - I2=25 A - I3=25 A - In=

220-240 V~1PH+PE (Kit required)  
3G x 10 mm<sup>2</sup>  
Circuit Breaker 50 A  
I1=47.5 A - I2= - I3= - In=47.5 A

- 10 WATER PRESSURE
- 11 MAX FOOD LOAD
- 13 WATER MAX CONSUMPTION
- 02 NOMINAL HEAT INPUT
- 18 CAVITY DIMENSIONS ( W - D - H )
- 20 IP PROTECTION CLASS

150-600 kPa / 21-87 psi kPa  
30 kg  
9,8 l/h @ 200 kPa  
10,125 kW  
716x561x392 mm  
X4

## ITALIANO

- 01 POTENZA
- 03 FREQUENZA
- 04 TIPO DI CAVO ALIMENTAZIONE
- 05 Ø ESTERNO CAVO DI ALIMENTAZIONE
- 06 TENSIONE / SEZIONE CAVI ALIMENTAZIONE / CORRENTE
- 10 PRESSIONE ACQUA
- 11 CARICA MAX CIBO
- 13 CONSUMO MAX ACQUA
- 02 POTENZA TERMICA NOMINALE
- 18 DIMENSIONI CAMERA COTTURA ( L - P - H )
- 20 GRADO PROTEZIONE IP

## FRANCAIS

- 01 PUISSANCE ELECTRIQUE
- 03 FREQUENCE
- 04 TYPE DE CABLE D'ALIMENTATION
- 05 Ø EXTERNE DU CABLE D'ALIMENTATION
- 06 TENSION / SECTION CABLE D'ALIM.
- 10 PRESSION DE L'EAU
- 11 CHARGE MAXIMALE D'ALIMENT
- 13 CONSOMMATION MAX DE L'EAU
- 02 DEBIT THERMIQUE NOMINAL
- 18 DIMENSIONS CHAMBRE DE COUSSION ( L - P - A )
- 20 INDICE DE PROTECTION IP

## ESPAÑOL

- 01 POTENCIA
- 03 FRECUENCIA
- 04 TIPO DE CABLE DE ALIMENTACION
- 05 Ø CABLE EXTERNO DE ALIMENTACION
- 06 TENSION / SECCION CABLES DE ALIMENTACION
- 10 PRESION AGUA
- 11 CARGA MAX. DE ALIMENTOS
- 13 CONSUMO MAX DE AGUA
- 02 POTENCIA TERMICA NOMINAL
- 18 DIMENSIONES CÁMARA DE COCCIÓN ( An - Pr - Al )
- 20 GRADO DE PROTECCION IP

## DEUTSCH

- 01 ELEKTRISCHE LEISTUNG
- 03 FREQUENZ
- 04 ZULEITUNGSKABELTYP
- 05 AUSSENDURCHMESSER DES VERSORGUNGSKABELS
- 06 KABELQUERSCHNITT UND VERSORGUNGSSPANNUNG
- 10 WASSERDRUCK
- 11 MAX. SPEISENFASSUNGSVERMOGEN
- 13 MAXIMUM WASSERVERBRAUCH
- 02 NOMINALE WARMELEISTUNG
- 18 GRÖÖBE DES KOCHKAMMERS ( B - T - H )
- 20 SCHTZART IP



# MOD:XEBC-04EU-EPRM



## ENGLISH - DRAWINGS

|    |                             |
|----|-----------------------------|
| 2  | TERMINAL BOARD POWER SUPPLY |
| 3  | UNIPOTENTIAL TERMINAL       |
| 6  | TECHNICAL DATA PLATE        |
| 7  | SAFETY THERMOSTAT           |
| 8  | 3/4" THREAD WATER INLET     |
| 10 | Rotor.KLEAN CONNECTION      |
| 11 | CAVITY DRAIN PIPE           |
| 12 | HOT FUMES EXHAUST CHIMNEY   |
| 13 | ACCESSORIES CONNECTION      |
| 27 | COOLING AIR OUTLET          |

## ITALIANO - DISEGNI

|    |                               |
|----|-------------------------------|
| 2  | MORSETTIERA ALIMENTAZIONE     |
| 3  | MORSETTO EQUIPOTENZIALE       |
| 6  | TARGHETTA DATI TECNICI        |
| 7  | TERMOSTATO DI SICUREZZA       |
| 8  | INGRESSO ACQUA 3/4"           |
| 10 | INGRESSO Rotor.KLEAN          |
| 11 | SCARICO CAMERA DI COTTURA     |
| 12 | USCITA FUMI CALDI             |
| 13 | COLLEGAMENTO ACCESSORI        |
| 27 | USCITA ARIA DI RAFFREDDAMENTO |

## FRANCAIS - ENCOMBREMEN

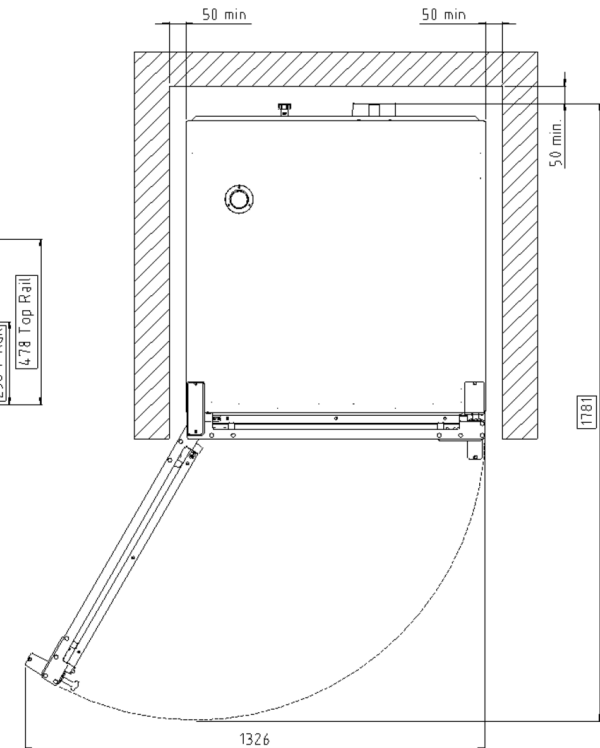
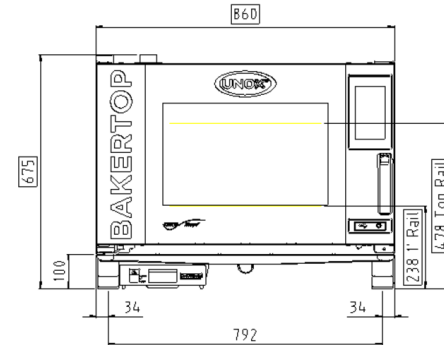
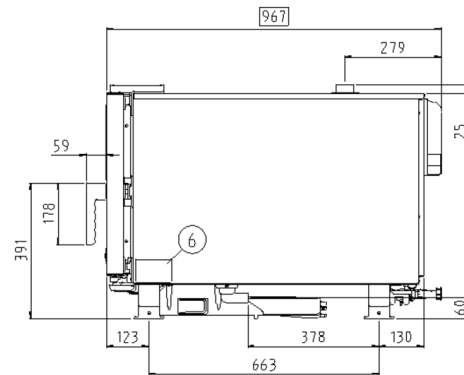
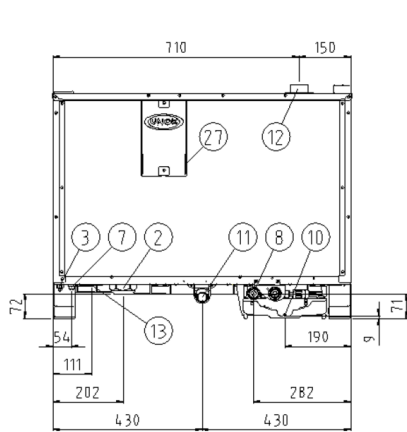
|    |                                 |
|----|---------------------------------|
| 2  | BOITE A BORNES D'ALIMENTATION   |
| 3  | SUPPORT BORNE EQUIPOTENTIELLE   |
| 6  | PLAQUETTE SIGNALÉTIQUE          |
| 7  | THERMOSTAT DE SÉCURITÉ          |
| 8  | ARRIVÉ D'EAU FIÉLT 3/4"         |
| 10 | ENTRÉE Rotor.KLEAN              |
| 11 | SORTIE DE L'EAU RACCORD         |
| 12 | SORTIE DES FUMÉES CHAUDES       |
| 13 | JONCTION DES ACCESSOIRES        |
| 27 | SORTIE D'EAU DE REFROIDISSEMENT |

## ESPAÑOL - DISEÑOS

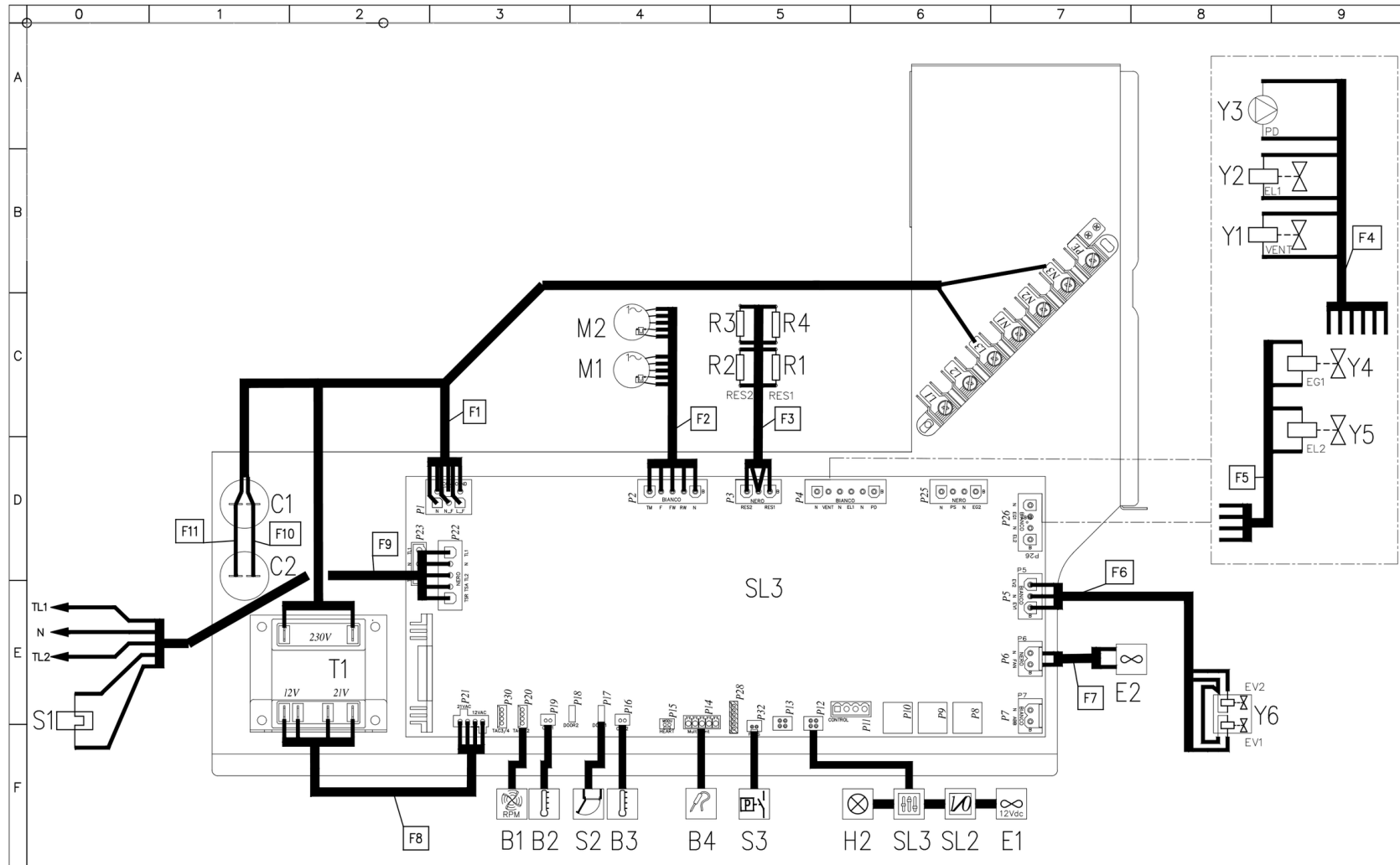
|    |                                     |
|----|-------------------------------------|
| 2  | CAJA DE CONEXION                    |
| 3  | SEDE BORNE EQUIPOTENCIAL            |
| 6  | TARJETA DE CARACTERISTICAS TECNICAS |
| 7  | TERMOSTATO DE SEGURIDAD             |
| 8  | ENTRADA DE AGUA 3/4"                |
| 10 | INGRESO Rotor.KLEAN                 |
| 11 | DESCARGA CAMARA DE COCCION          |
| 12 | SALIDA HUMOS CALIENTES              |
| 13 | CONEXION ACCESORIOS                 |
| 27 | SALIDA DEL AIRE DE ENFRIAMIENTO     |

## DEUTSCH - ZEICHNUNGEN

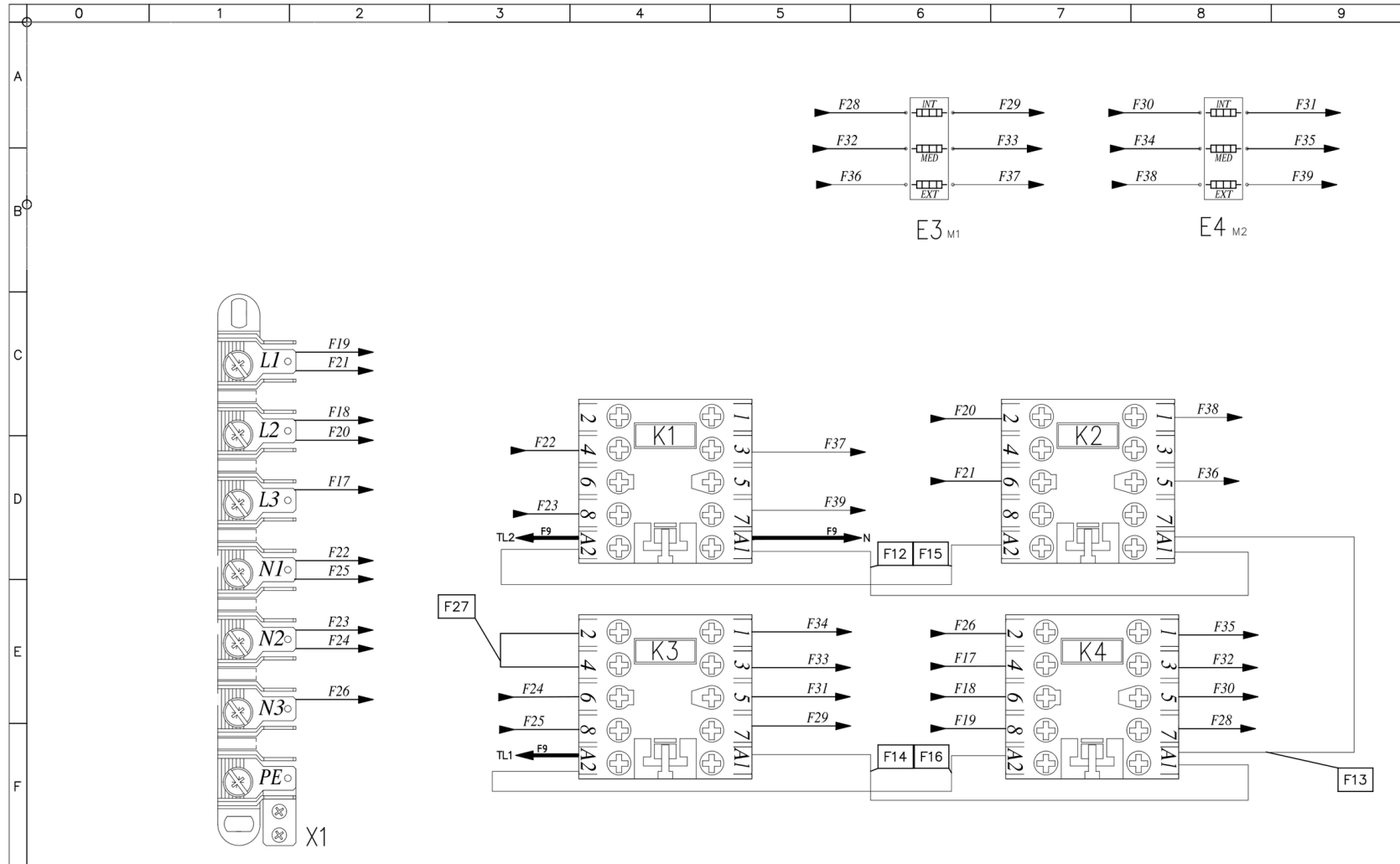
|    |                           |
|----|---------------------------|
| 2  | ZULEITUNGSKLEMMLEISTE     |
| 3  | GLEICHPOTENTIELLE KLAMMER |
| 6  | TYPENSCHILD               |
| 7  | SICHERHEITSTHERMOSTAT     |
| 8  | WASSEREINZUG 3/4" GEWINDE |
| 10 | Rotor.KLEAN EINGANG       |
| 11 | WASSERAUSLASS GEWINDE     |
| 12 | ABZUGSHAUBE               |
| 13 | ZUBEHÖRTEILENVERBINDUNG   |
| 27 | KÜHLLUFTAUSTRITT          |



# MOD:XEBC-04EU-EPRM



# MOD:XEBC-04EU-EPRM



# MOD:XEBC-04EU-EPRM



|   | 0           | 1                                     | 2                           | 3                                    | 4                                | 5                       | 6 | 7 | 8 | 9 |
|---|-------------|---------------------------------------|-----------------------------|--------------------------------------|----------------------------------|-------------------------|---|---|---|---|
| A | Q           |                                       |                             |                                      |                                  |                         |   |   |   |   |
|   | Sigle       | ITALIANO                              | ENGLISH                     | FRANCAIS                             | ESPAÑOL                          | DEUTSCH                 |   |   |   |   |
| B | C1,C2       | CONDENSATORE                          | MOTOR CAPACITOR             | CONDENSATEUR                         | CONDENSADOR                      | KONDENSATOR             |   |   |   |   |
|   | K1,K2,K3,K4 | TELERUTTORE                           | CONTACTOR                   | TELERUPTEUR                          | TELERRUPTOR                      | RELAIS                  |   |   |   |   |
|   | SL3         | SCHEDA POTENZA                        | POWER CARD                  | CARTE DE PUISSANCE                   | TARJETA POTENCIA                 | POWERPLATINE            |   |   |   |   |
|   | T1          | TRASFORMATORE                         | TRANSFORMER                 | TRASFORMATEUR                        | TRANSFORMADOR                    | TRANSFORMATOR           |   |   |   |   |
|   | X1          | MORSETTIERA 7P                        | TERMINAL BLOCK 7P           | BORNIER 7P                           | CONECTOR 7P                      | KLEMMLEISTE 7P          |   |   |   |   |
|   | B1          | SENSORE VELOCITA MOTORE               | MOTOR SPEED SENSOR          | CAPTEUR DE VITESSE MOTEUR            | SENSOR DE VELOCIDAD MOTOR        | GESCHWINDIGKEITSENSOR   |   |   |   |   |
|   | B2,B3       | SONDA CAMERA                          | TEMPERATURE PROBE           | SONDE DE CHAMBRE                     | SONDA CAMARA                     | GARRAUMTEMPERATURFUHLER |   |   |   |   |
|   | B4          | SONDA AL CUORE                        | CORE PROBE                  | SONDE A COEUR                        | SONDA CORAZON                    | KERNTEMPERATURFUHLER    |   |   |   |   |
|   | E1          | VENTOLA RAFFREDDAMENTO 12V            | COOLING FAN 12V             | TURBINE DE REFROIDISSEMENT 12V       | TURBINA DE REFRIGERACION 12V     | LÜFTER 12V              |   |   |   |   |
|   | E2          | VENTOLA RAFFREDDAMENTO 230V           | COOLING FAN 230V            | TURBINE DE REFROIDISSEMENT 230V      | TURBINA DE REFRIGERACION 230V    | LÜFTER 230V             |   |   |   |   |
| C | E3,E4       | ELEMENTO RISCALDANTE                  | HEATING ELEMENT             | ELEMENT DE CHAUFFAGE                 | RESISTENCIA DE CALEFACCIÓN       | HEIZUNG                 |   |   |   |   |
|   | H2          | LUCE CAMERA                           | OVEN LIGHT                  | ECLAIRAGE DE CHAMBRE                 | LUZ CAMARA                       | BELEUCHTUNG             |   |   |   |   |
|   | M1,M2       | MOTORE                                | MOTOR                       | MOTEUR                               | MOTOR                            | MOTOR                   |   |   |   |   |
|   | R1,R2,R3,R4 | RESISTENZA DI MODULAZIONE VENTILATORE | MOTOR MODULATION RESISTANCE | RESISTANCE DE MODULATION VENTILATEUR | RESISTENCIA MODULACION VELOCIDAD | WIDERSTAND LOW FAN      |   |   |   |   |
|   | S1          | TERMOSTATO SICUREZZA                  | SAFETY THERMOSTAT           | THERMOSTAT DE SECURITE               | TERMOSTATO DE SEGURIDAD          | SICHERHEITS THERMOSTAT  |   |   |   |   |
|   | S2          | MICRO INTERRUTTORE PORTA              | DOOR MICROSWITCH            | MICROINTERRUPTEUR DE PORTE           | MICROINTERRUPTOR PUERTA          | TURKONTAKTSCHALTER      |   |   |   |   |
|   | S3          | PRESSOSTATO                           | PRESSURE SWITCH             | PRESSOSTAT                           | PRESÓSTATO                       | DRUCKSCHALTER           |   |   |   |   |
|   | SL2         | SCHEDA 1/0 – USB                      | USB – 1/0 BOARD             | USB – CARTE 1/0                      | USB – TARJETA 1/0                | USB – 1/0 PLATINE       |   |   |   |   |
|   | SL3         | SCHEDA CONTROLLO                      | CONTROL BOARD               | CARTE DE CONTROLE                    | TARJETA DE CONTROL               | KONTROLL PLATINE        |   |   |   |   |
|   | Y1          | DRY MAXY                              | DRY MAXY                    | DRY MAXY                             | DRY MAXY                         | DRY MAXY                |   |   |   |   |
| D | Y2,Y4,Y5    | ELETTROVALVOLA ACQUA                  | WATER SOLENOID VALVE        | ELECTROVANNE EAU                     | ELECTROVALVULA                   | ELEKTROVENTIL           |   |   |   |   |
|   | Y3          | POMPA                                 | PUMP                        | POMPE                                | BOMBA                            | PUMPE                   |   |   |   |   |
|   | Y6          | ELETTROVALVOLA ACQUA 3 STADI          | WATER SOLENOID VALVE 3STAGE | ELECTROVANNE EAU 3 E'TAPES           | ELECTROVALVULA 3 ETAPAS          | ELEKTROVENTIL 3 STUFEN  |   |   |   |   |
|   |             |                                       |                             |                                      |                                  |                         |   |   |   |   |
| E |             |                                       |                             |                                      |                                  |                         |   |   |   |   |
|   |             |                                       |                             |                                      |                                  |                         |   |   |   |   |
| F |             |                                       |                             |                                      |                                  |                         |   |   |   |   |
|   |             |                                       |                             |                                      |                                  |                         |   |   |   |   |

# MOD:XEBC-04EU-EPRM

